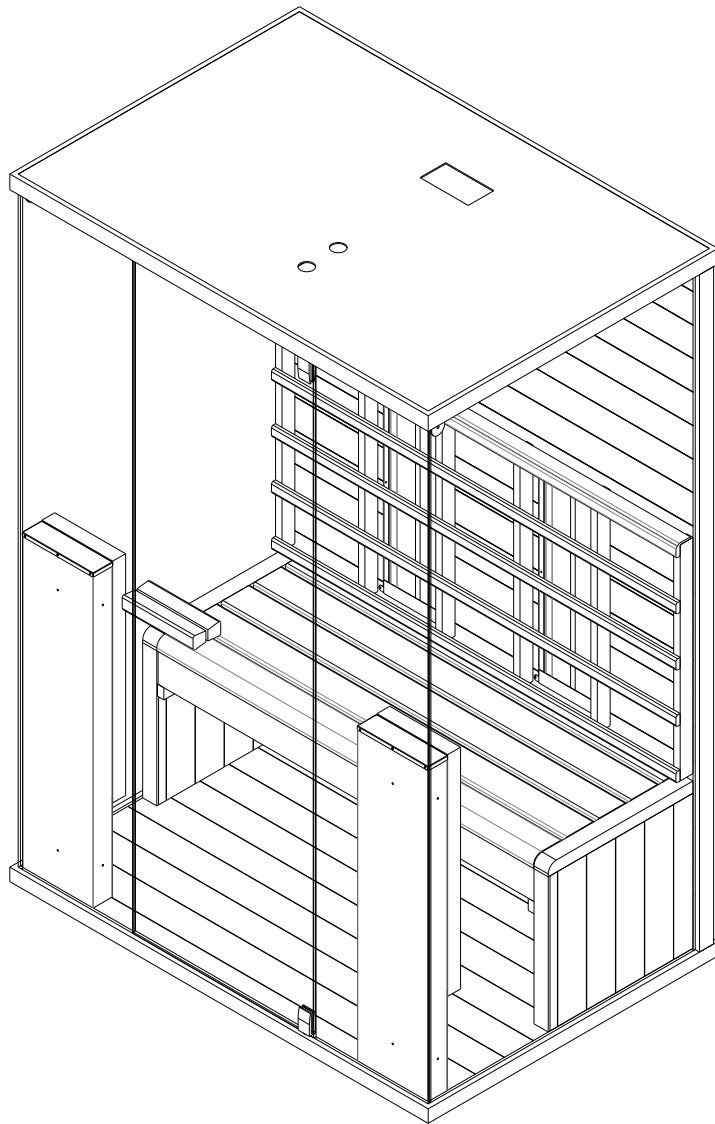


User's manual

EN



F40125 Infrared Sauna

PREFACE

Thank you very much for purchasing our product.

Please read this manual carefully before assembling and save it afterwards. Please write down the control box serial number of the cabin as this number will be required in case of repair or order of spare parts.

ATTENTION

Installation and repair should only be done by a qualified electrician!

Check power supply rating and make sure the grounded outlet is correctly connected before installation.

Use original parts only. Do not share the outlet with any other appliances.

When not in use, turn off the cabin's power unit.

Locate your cabin indoors and on a flat, level and dry surface.

DANGER

Heaters shall not be subjected to water spray; shower heads shall not be installed within the infrared cabin.

Covering the radiator causes a fire hazard due to overheating. Do not cover the heaters !

Keep flammable or easily combustible materials/objects (eg.towels) away from the radiator at all times.

Do not touch the radiator during and shortly after use as a burning hazard exists due to hot parts.

The light bulb heats in use. If the bulb needs to be changed, unplug the cabin and let the bulb cool down before changing it.

Should the electrical connection get damaged, it must be replaced—either by the manufacturer or by a licensed electrician!

WARNING

If you suffer from illness or other health-related problems, especially heart conditions or circulatory disturbances or if you take medication, you should consult a doctor before using the infrared cabin.

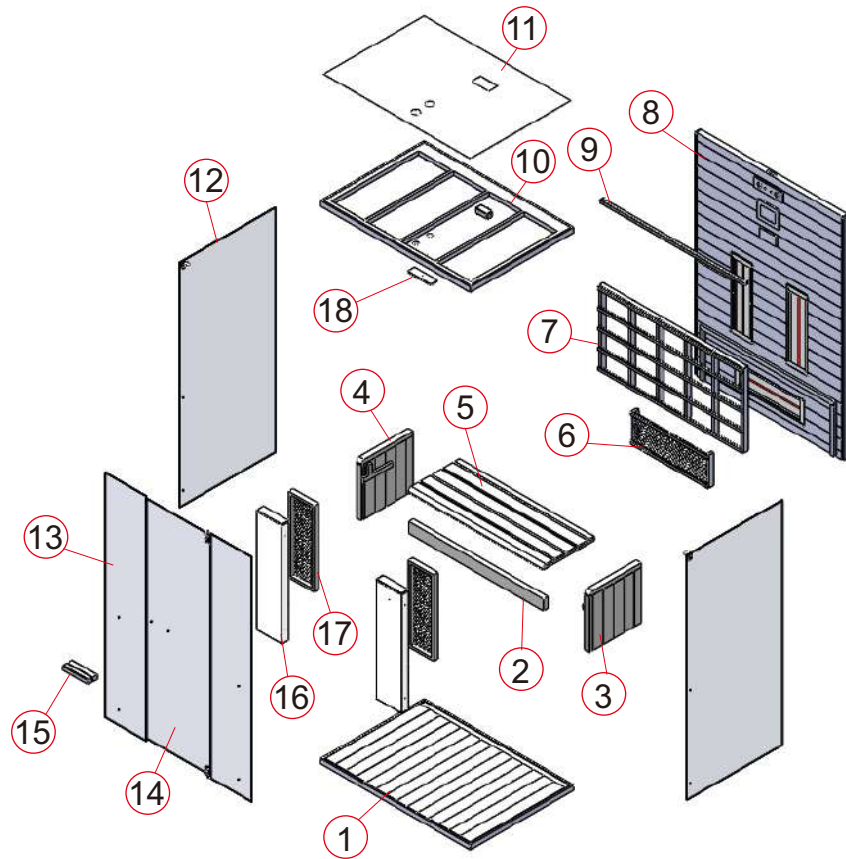
Children and frail persons should never be in the cabin without supervision.

If you feel uncomfortable while using the infrared cabin, stop immediately and consult with your doctor.

Never go to a hot infrared cabin if you have taken alcohol, strong medicines or narcotics.

Technical data

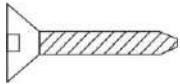
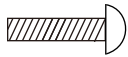
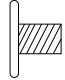
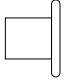


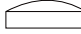

Model		F40125
Cabin material		Spruce wood
Width		1250 mm
depth		1000 mm
Height		1900 mm
Voltage		230volt 50Hz
Radiators	Type	G230 heater
	Total output	2200W 10A
	Back panel	350W x 2
	Front	500W x 2
	Calves	500W x 1



Cabin Individual parts (variations possible)

NO	NAME	Q' TY
1	Floor panel (1250*1000*39mm)	1
2	Bench support panel 1 (1116*90*40mm)	1
3	Bench support panel 2 (450*450*44mm)	1
4	Bench support panel 3 (450*450*44mm)	1
5	Bench surface panel (1116*450*33mm)	1
6	Calves guardrail (670*250*43mm)	1
7	Backrest (1204*757*43mm)	1
8	Back panel (1837*1249*44mm)	1
9	Led Light strip (1204*30*20mm)	1
10	Top panel (1250*1000*42mm)	1
11	MDF cover (1222*972*3mm)	1
12	Left & Right side glass (1846*930*6mm)	2
13	Front glass (1846*331*6mm)	2
14	Glass door (1810*557*6mm)	1
15	Door handle (outside, 290*40*40mm & inside, 255*40*40mm)	1
16	Front heater (900*220*60mm)	2
17	Guardrail for Front heater (650*220*40mm)	2
18	Ventilation (200*60*10mm)	2

Hardware parts (variations possible)

								 Pad	 Cap	
Φ 3*16	Φ 4*45	Φ 4*60	Φ 4*12	Φ 6*50	Φ 4*5	Φ 5*8	Glass clip	Φ 14	Φ 16	30*30*16
1x	12x	10x	8x	2x	2x	2x	1x	2x	2x	3x

ASSEMBLE INSTRUCTIONS

Assemble tips

Please remove transport packaging and inspect that your infrared cabin has been delivered complete and intact before beginning assemble.

A least 2 persons are required for assemble of the cabin

Please check the countersink and hole diameter of the drill holes to avoid damaging the wood. .

The minimum room height required for installation is 2020mm

Tools



Screwdriver (kit)



Tape measure



Electric drill



Spiral drill (kit)



Hammer



Allen Wrench (kit)



Cutter



Stepladder

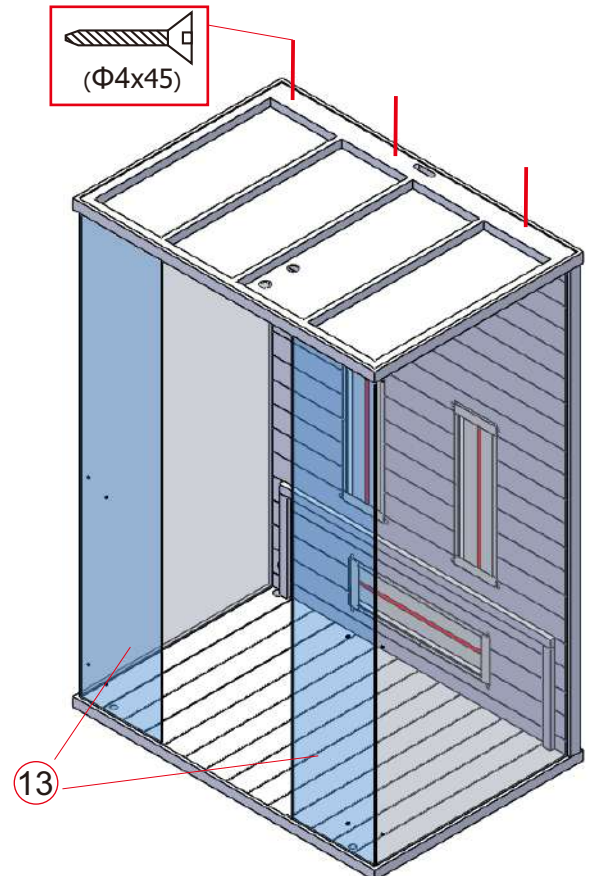
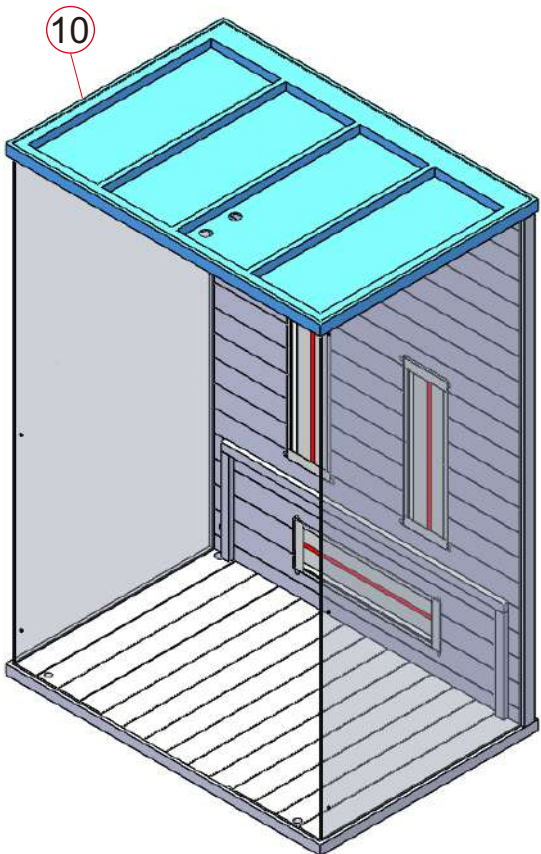
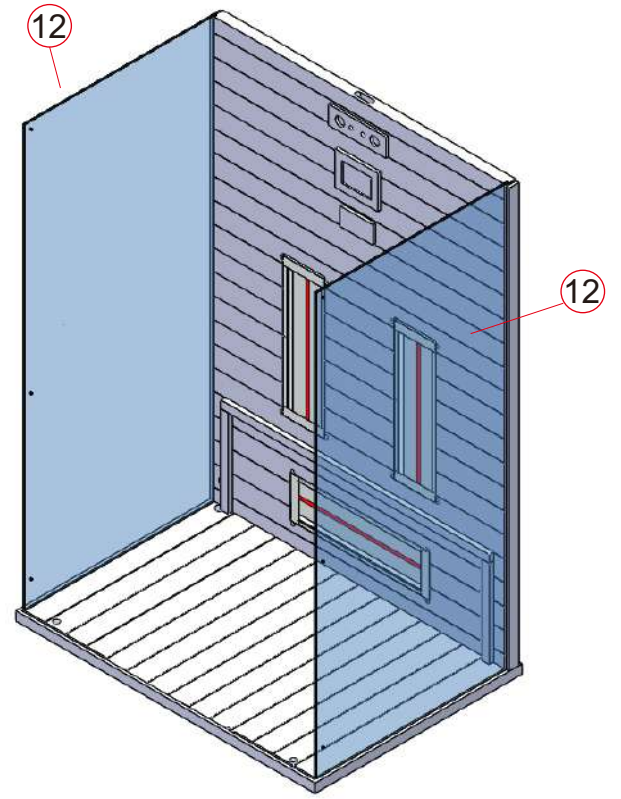
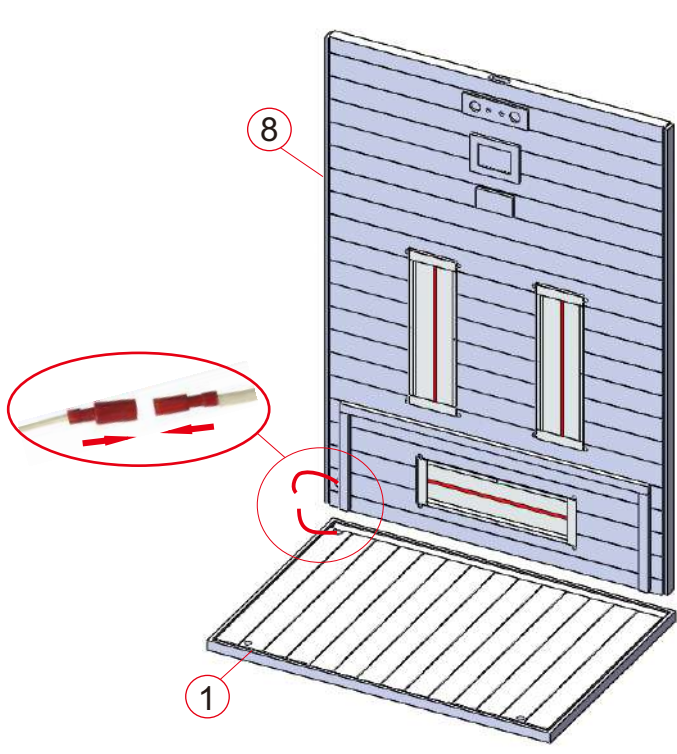


Spirit level

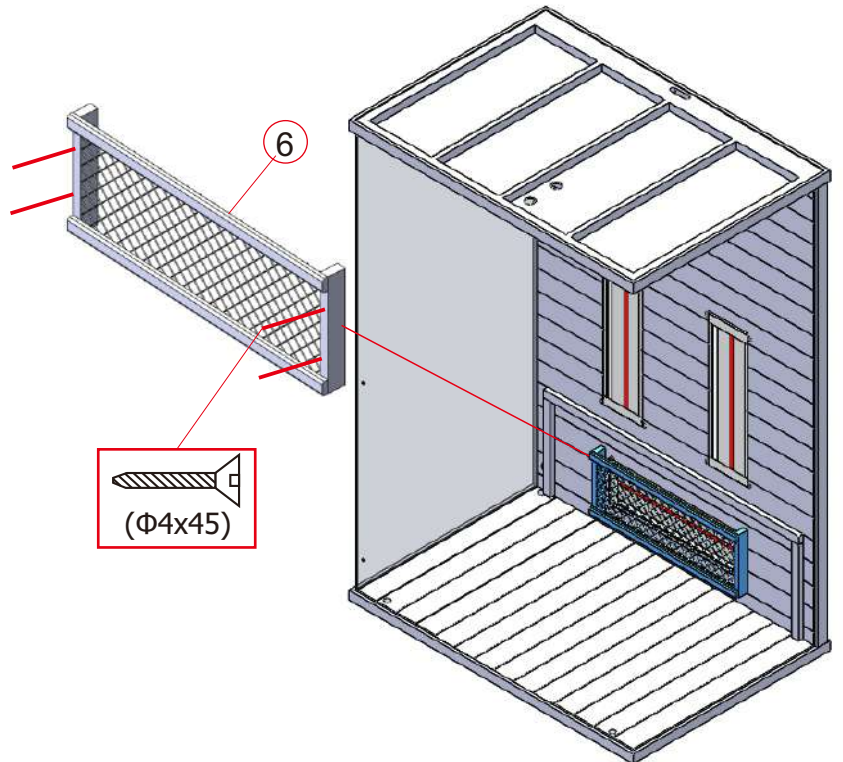
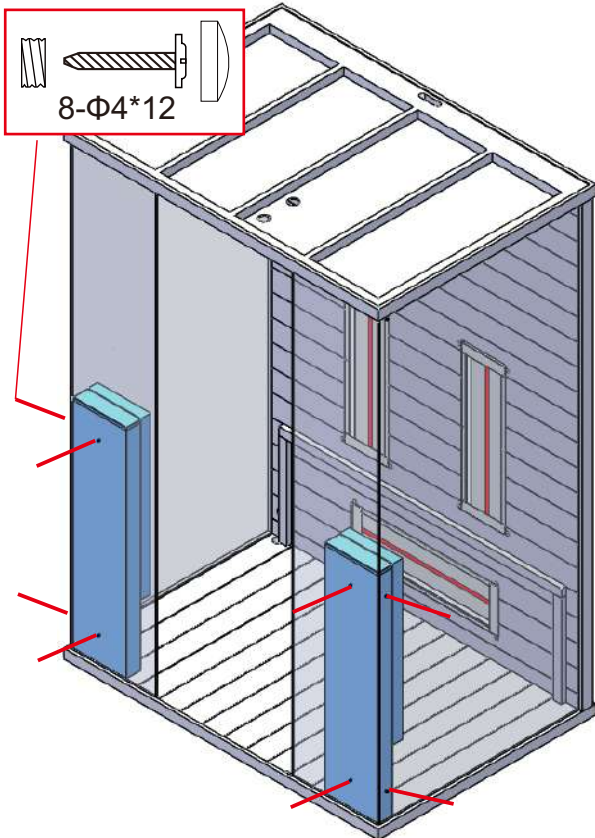
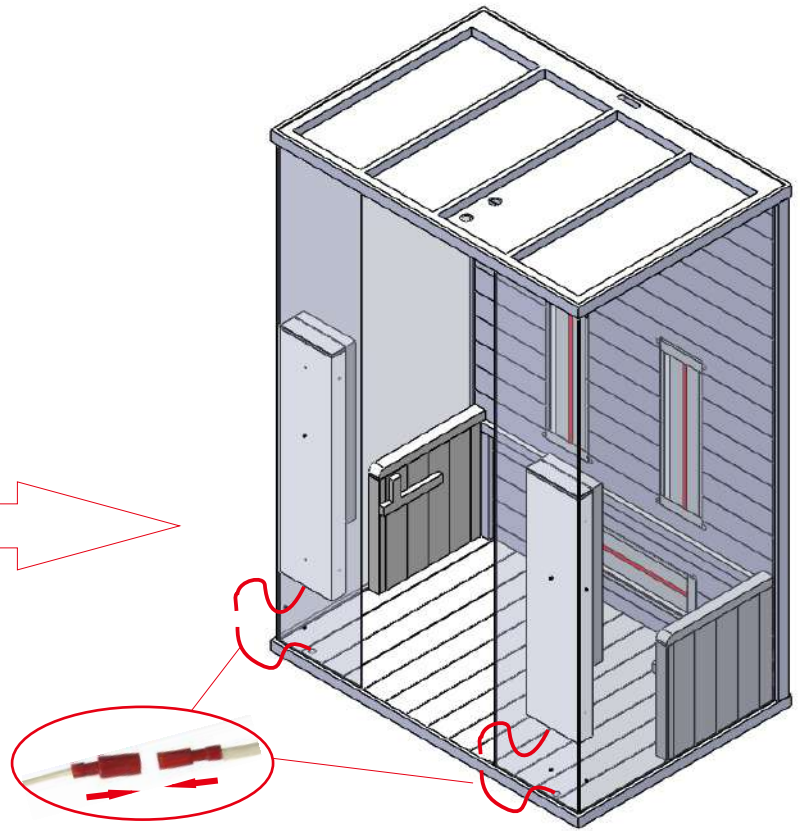
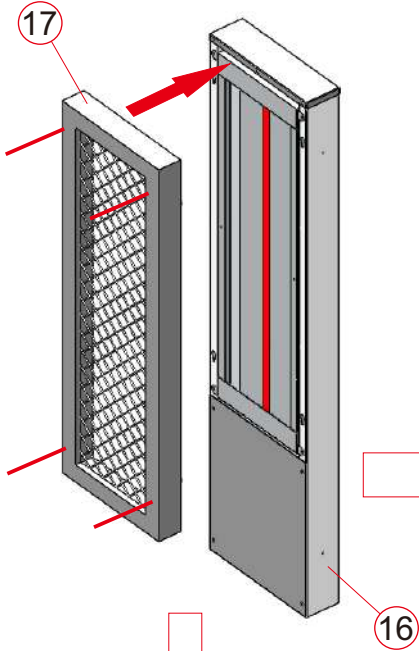


Pencil

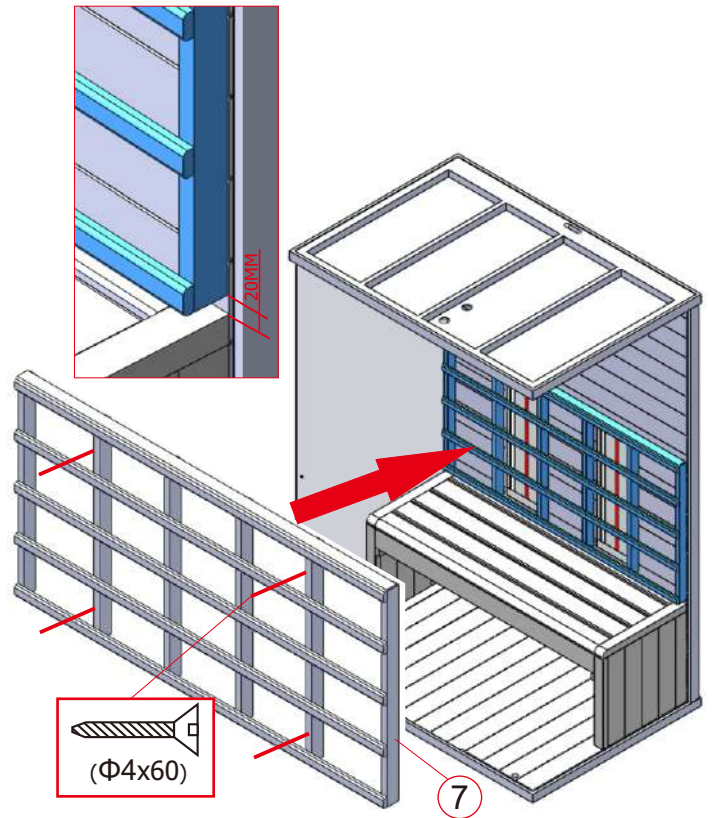
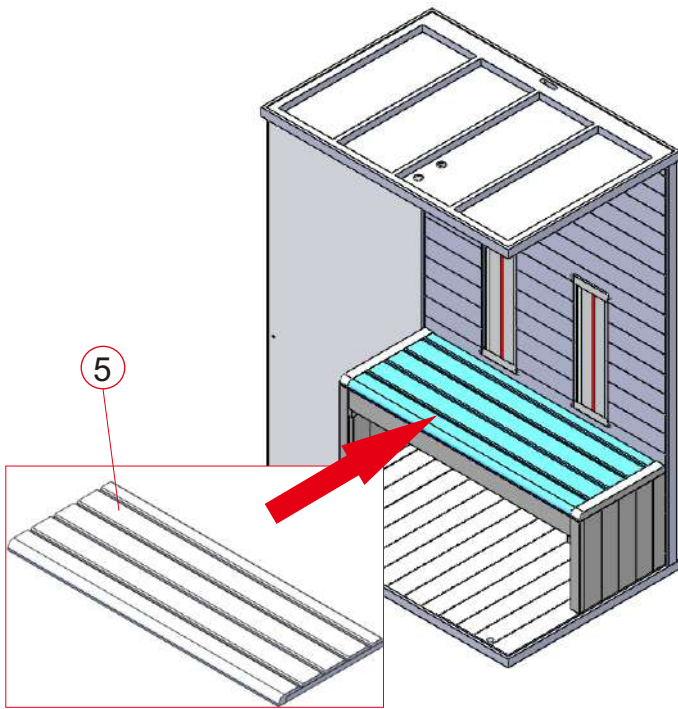
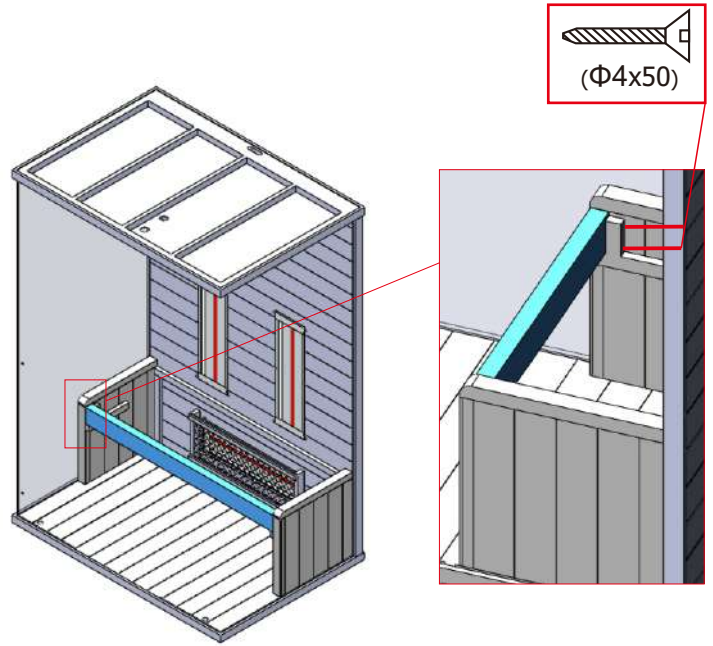
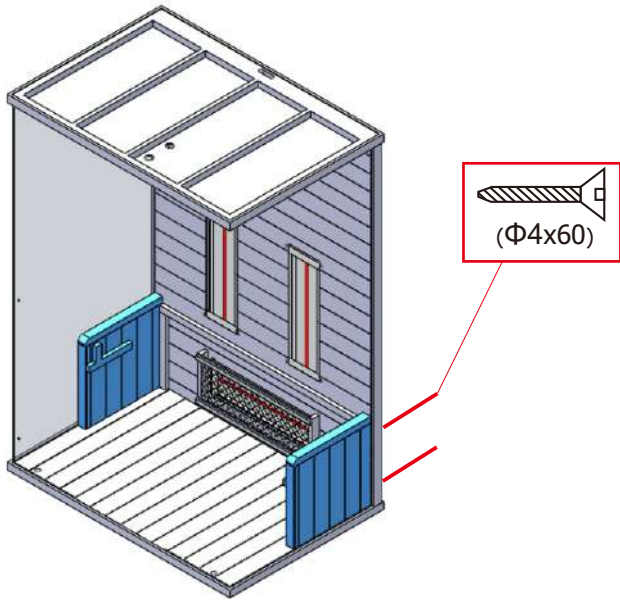
ASSEMBLE INSTRUCTIONS



ASSEMBLE INSTRUCTIONS

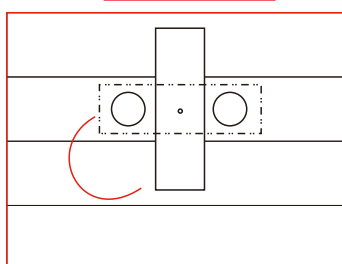
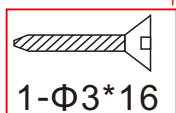
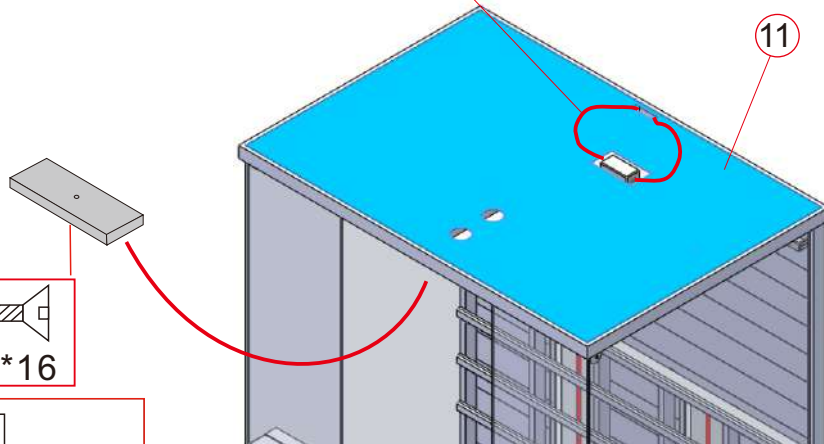
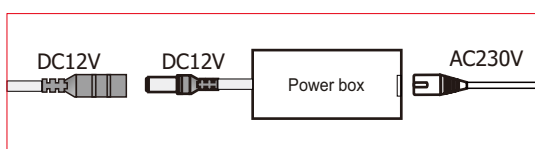
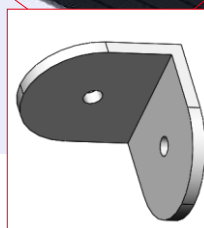
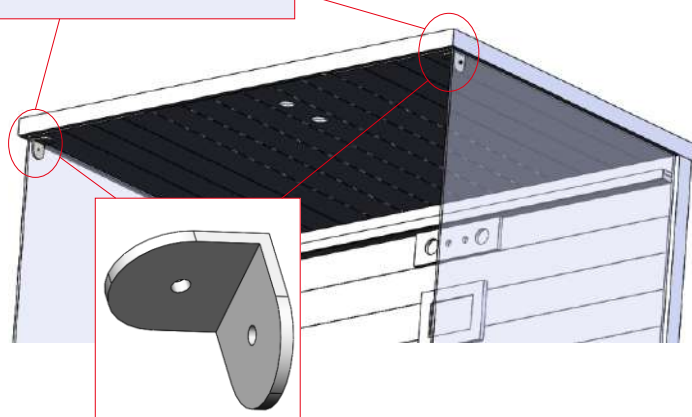
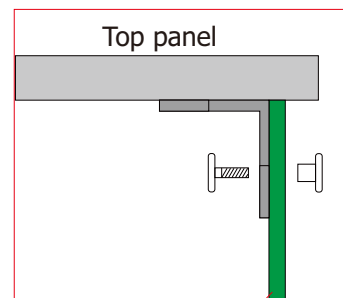
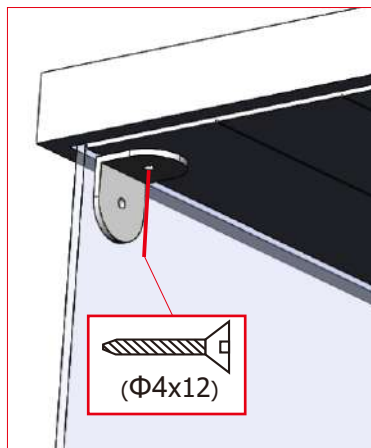
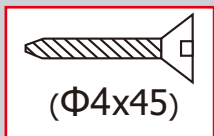
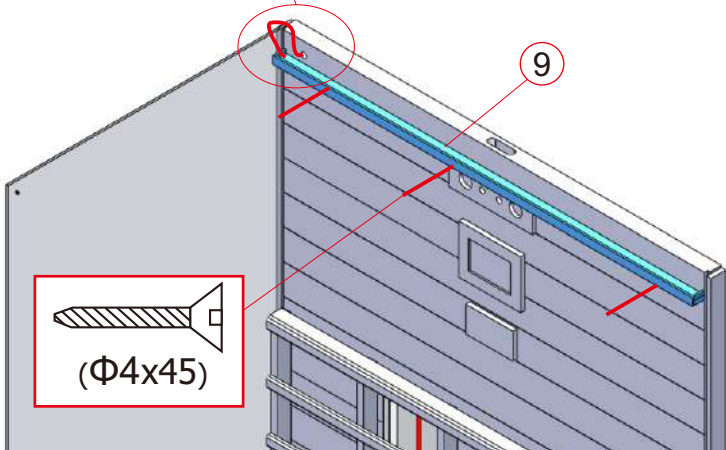
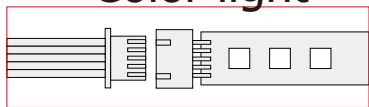


ASSEMBLE INSTRUCTIONS

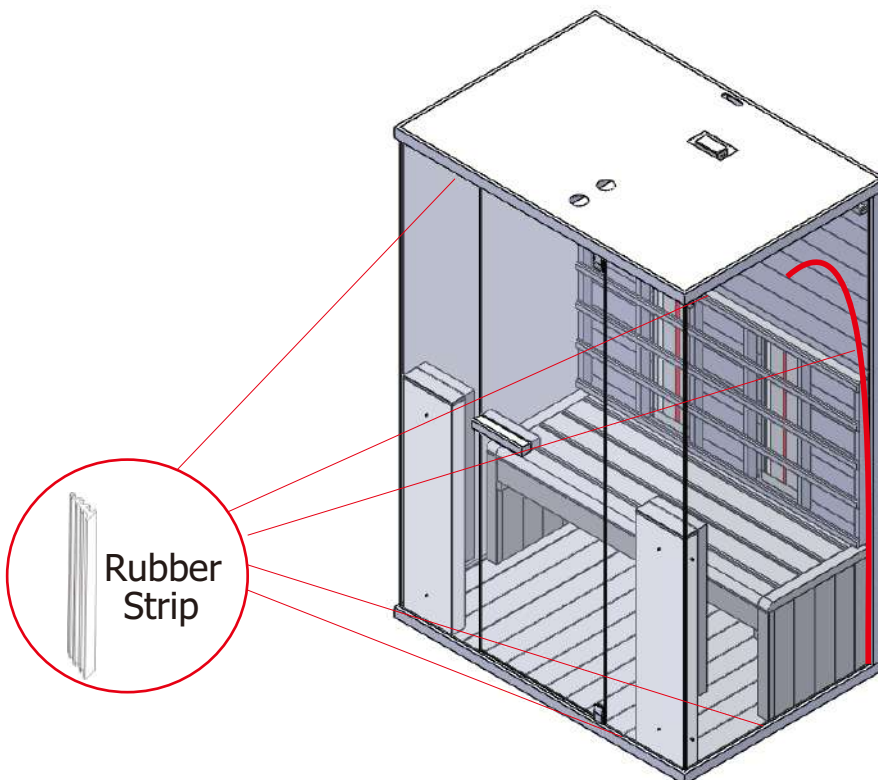
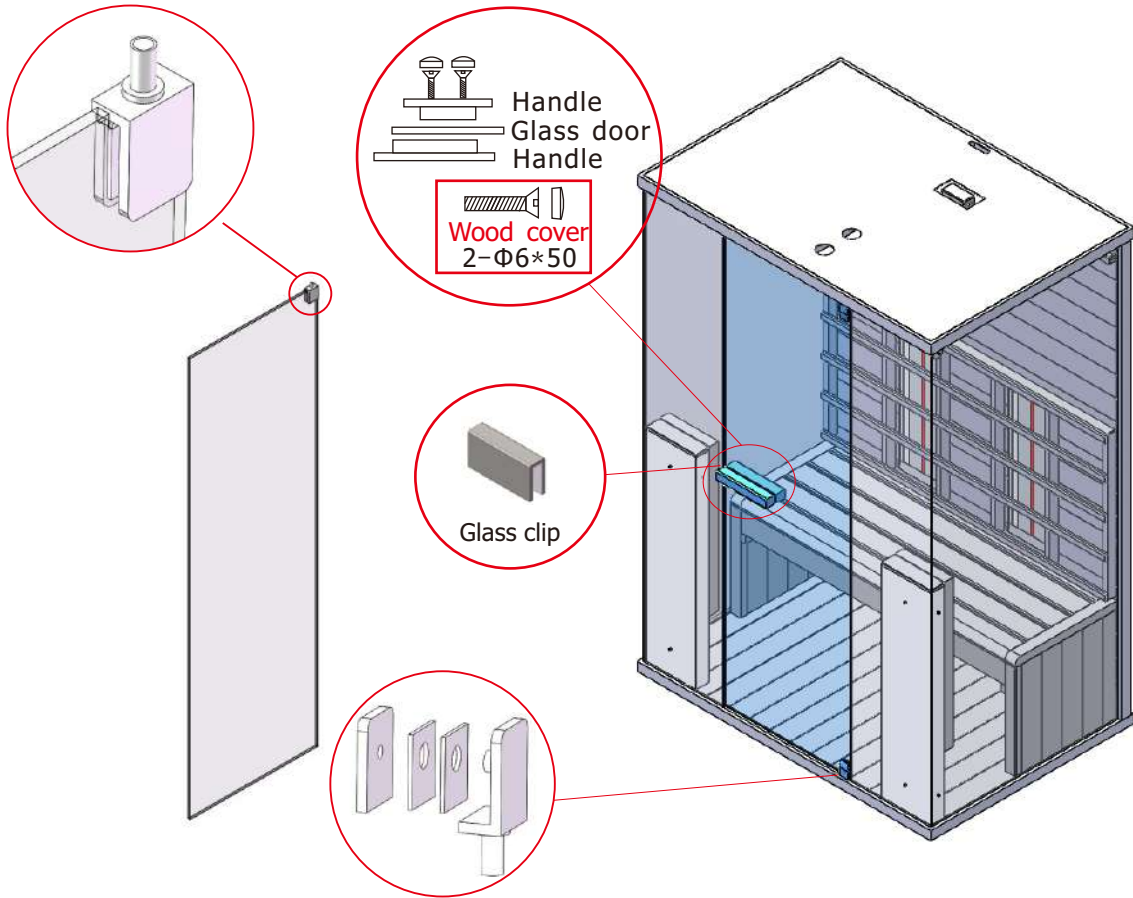


ASSEMBLE INSTRUCTIONS

Color light

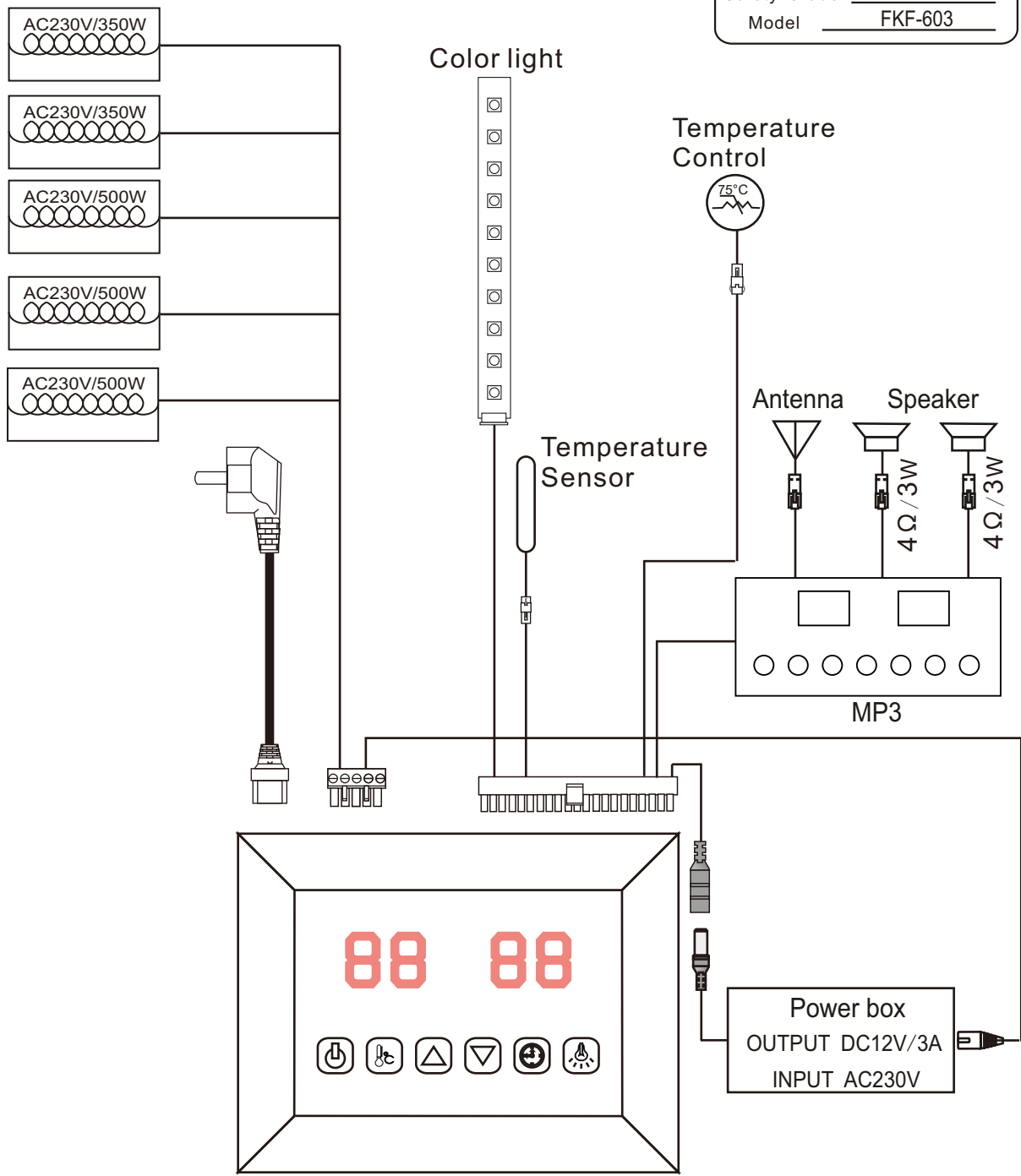


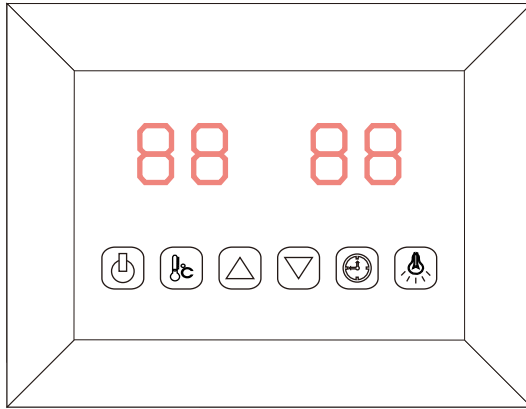
ASSEMBLE INSTRUCTIONS



CIRCUIT DIAGRAM

Input Voltage AC230V/50HZ
Power Rating 2200W
Current Rating 10A
Safety Grade I
Model FKF-603





- ON/OFF
- Color light
- Temperature setting
- Time setting
- Time/Temperature+
- Time/Temperature-

Connect the power unit to wall outlet, the LED indicator will start to blink on the display. Now it is possible to switch on the infrared heaters, the light and the music function.

1)Startup

Press to switch on the display and heaters start to work, the length of time is automatically set to 99 minutes and the air temperature inside the cabin will be presented. Press again could switch off the heaters.

2)Temperature settings

The left display refers to the air temperature. Press , you can set the desired temperature from 35 to 60 by pressing the / keys, Interval=1 ; The setting number blinks 10 seconds then automatically presents the air temperature; When at this temperature, the heaters will stop working automatically; When it fall 4 below this temperature, the cabin will start up automatically.

Please note: The maximum air temperature reachable in the cabin may be lower than the desired temperature. This is dependent on the temperature outside the cabin. Default temperature=40

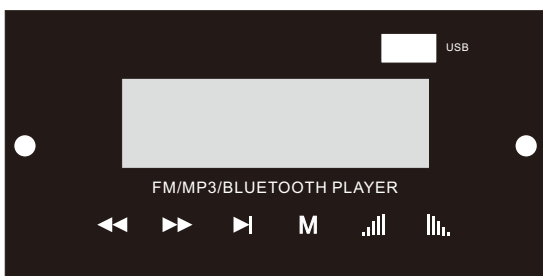
3)Time settings

The right display refers to the length of time. Press , you can set the desired time from 5mins to 99mins by pressing the / keys: Interval=1mins; When count down to 00, the heaters will shut off automatically. Default time=99minutes.

4)Color light

Short press , you can set the desired color(7 color totally)and close the light; Long press to go into an automatically cycling mode, changing 7 colors every 5 seconds.

5)MP3



	Previous Song/ Previous Channel /FM state, long press for searching up channels
	Nest Song/ Next Channel /FM state, long press for searching down channels

M	Menu switch/long press for power on/off		Play/Pause(Mute in FM State) /Long press automatic channel selection and save
	Add the volume/ Long press add volume in a row		Reduce the volume/Long press reduce volume in a row

SERVICE

Use instructions

Drink plenty of liquids before and after use of the infrared cabin.

Dry yourself off completely.

The optimal cabin temperature for a pleasant session lies between 35 and 60 °C.

After a heating period of an hour at the latest, the cabin should be switched off and a heating brake of at least 30 minutes should be taken.

It is recommended to take a warm shower and relax after use.

Maintenance instructions

Clean the cabin with a damp cotton towel, dry with a clean dry towel.

Clean the glass with a window/glass cleaner and a soft cloth.

Do not pour water in the control panel or clean it with wet cloth. For cleaning purposes, use a cleaning cloth that has been only slightly moistened with a mild soapy solvent (dish detergent).

Do not use chemical detergents to clean the cabin.

Please fasten the screws of the bench once every three months, avoid the loose or drop off.

Notes:
